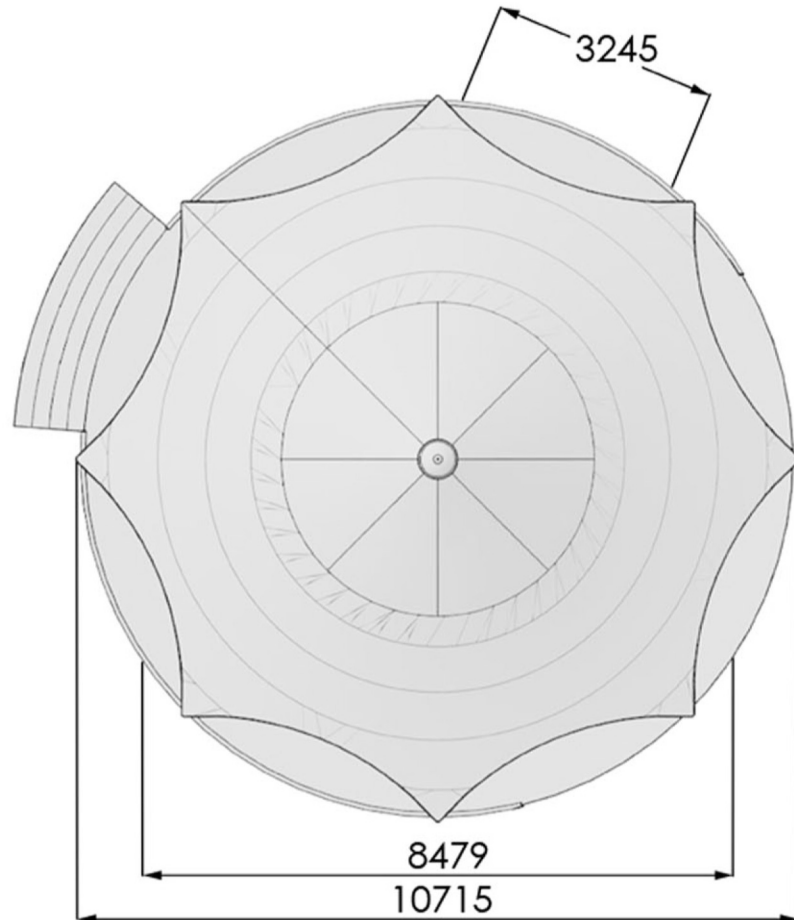
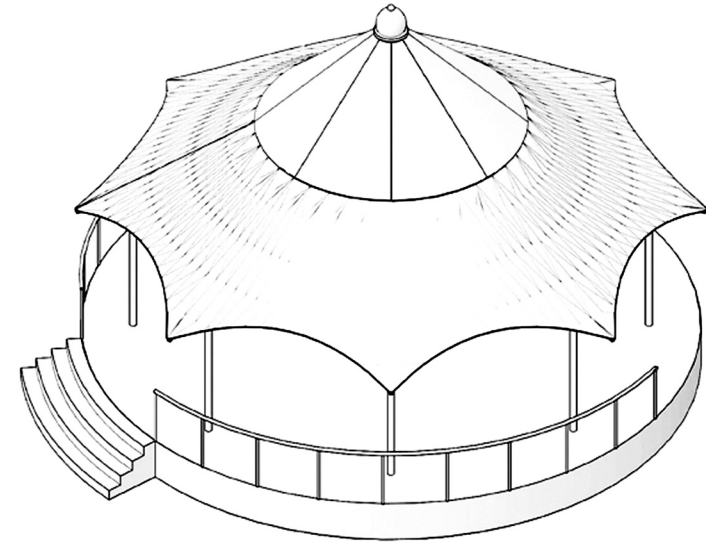


Plan



Isometric



Side

