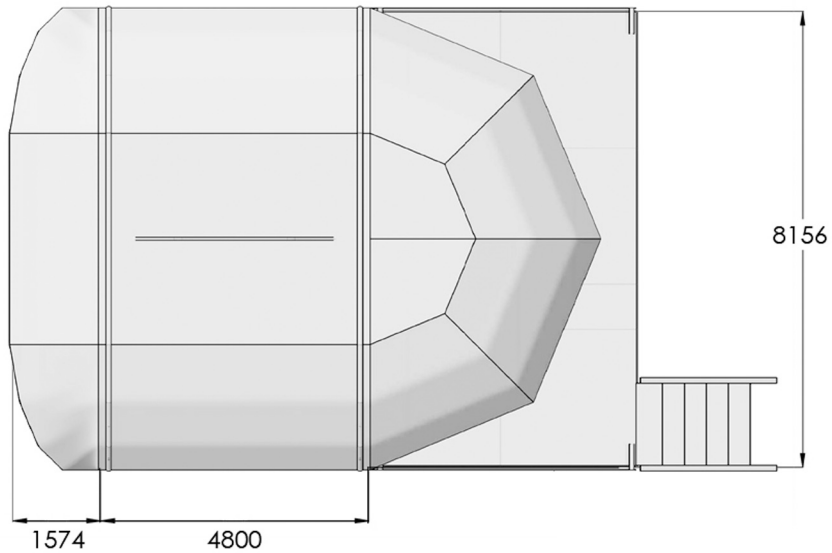
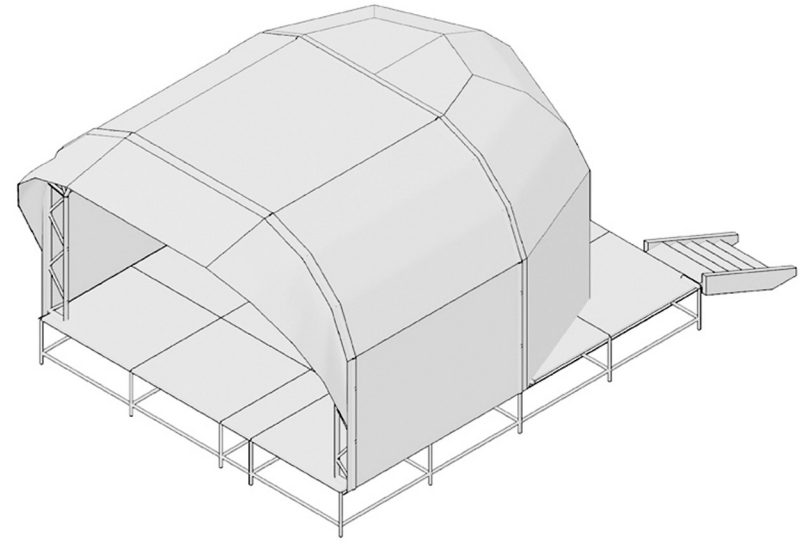


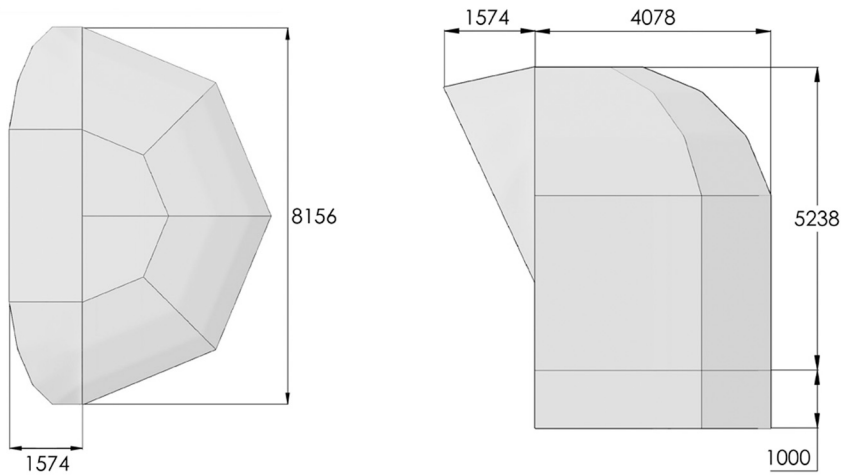
Plan



Isometric



Alternative Short Version (Plan/Side)



Side

